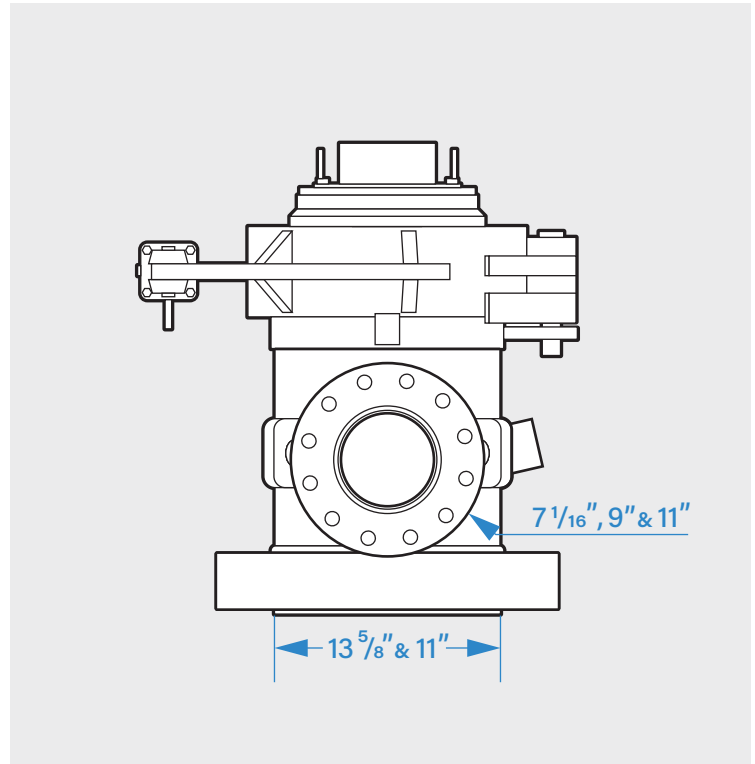
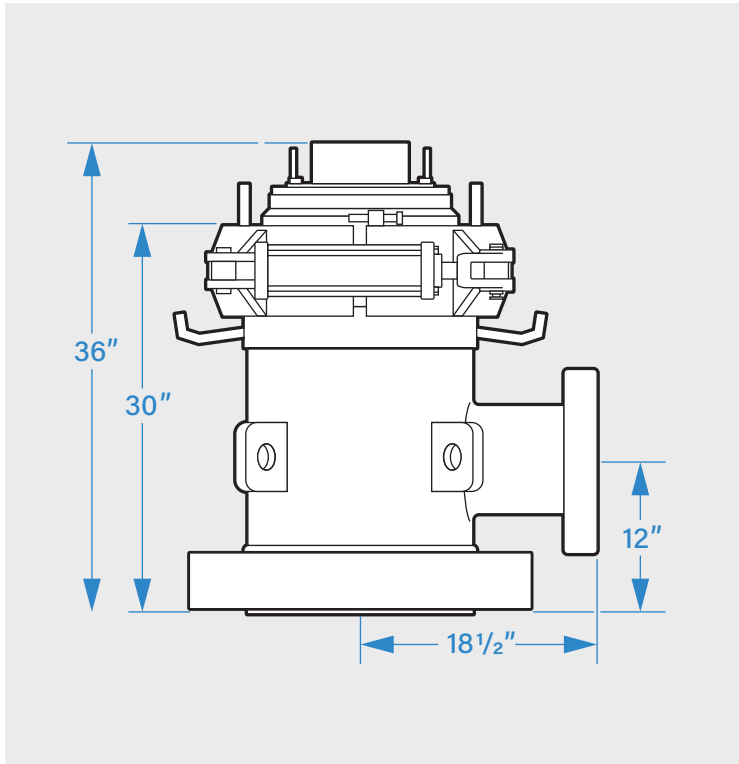


Low Pressure Rotating Control Device (LP RCD)

LP RCD PRESSURE RATING PSI:

500# Static

500# Dynamic



SPECS:

- 12" Face of bottom flange to center of outlet flange
- 18 1/2" Center of bottom flange to face of outlet flange
- 30" Face of bottom flange to top of clamps
- 36" Face of bottom flange to top of bearing (installed)

OUTLET FLANGE:

- 7 1/16" 3M
- 9" 2M
- 11" 3M

BOTTOM FLANGE:

- 13 5/8" 5M
- 11" 5M

All measurements assume the bearing is installed and clamps engaged.