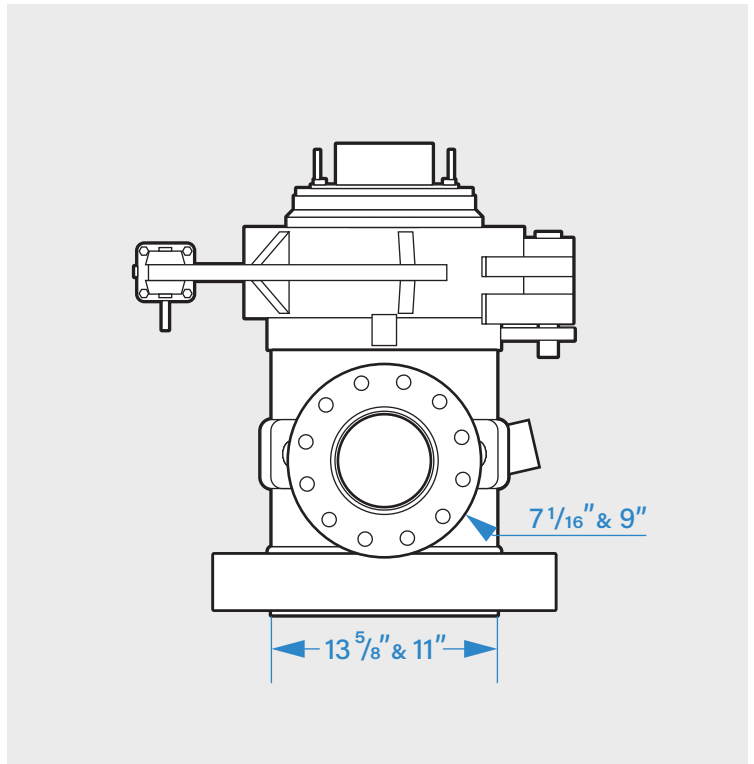
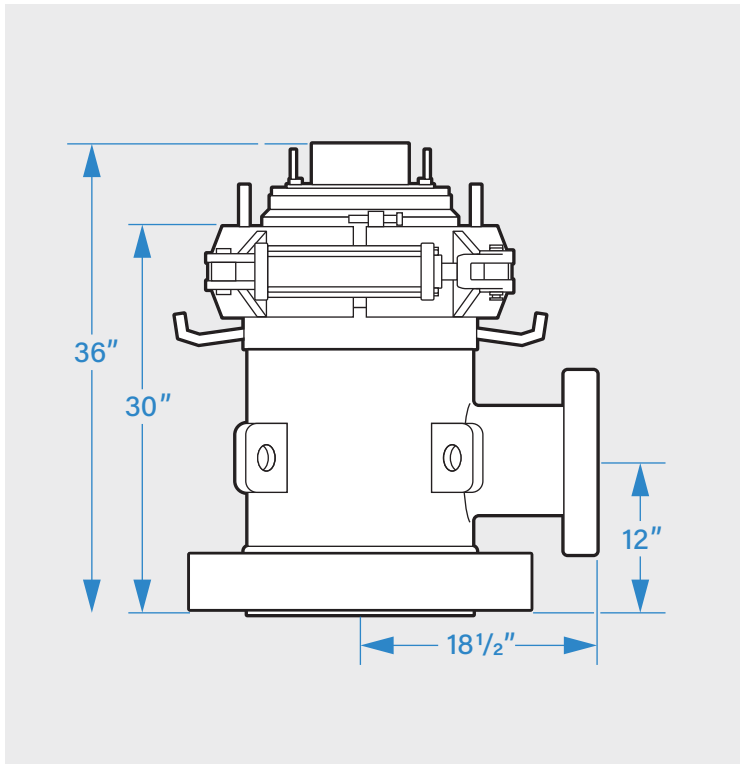


# Intermediate Pressure Rotating Control Device (IP RCD)

## IP RCD PRESSURE RATING PSI:

1500# Static

1000# Dynamic



## SPECS:

- 12" Face of bottom flange to center of outlet flange
- 18 1/2" Center of bottom flange to face of outlet flange
- 30" Face of bottom flange to top of clamps
- 36" Face of bottom flange to top of bearing (installed)

## OUTLET FLANGE:

- 7 1/16" 3M
- 9" 2M

## BOTTOM FLANGE:

- 13 5/8" 5M
- 11" 5M

*All measurements assume the bearing is installed and clamps engaged.*